

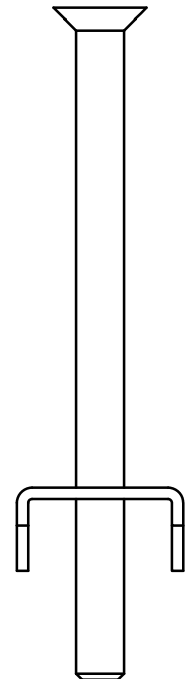
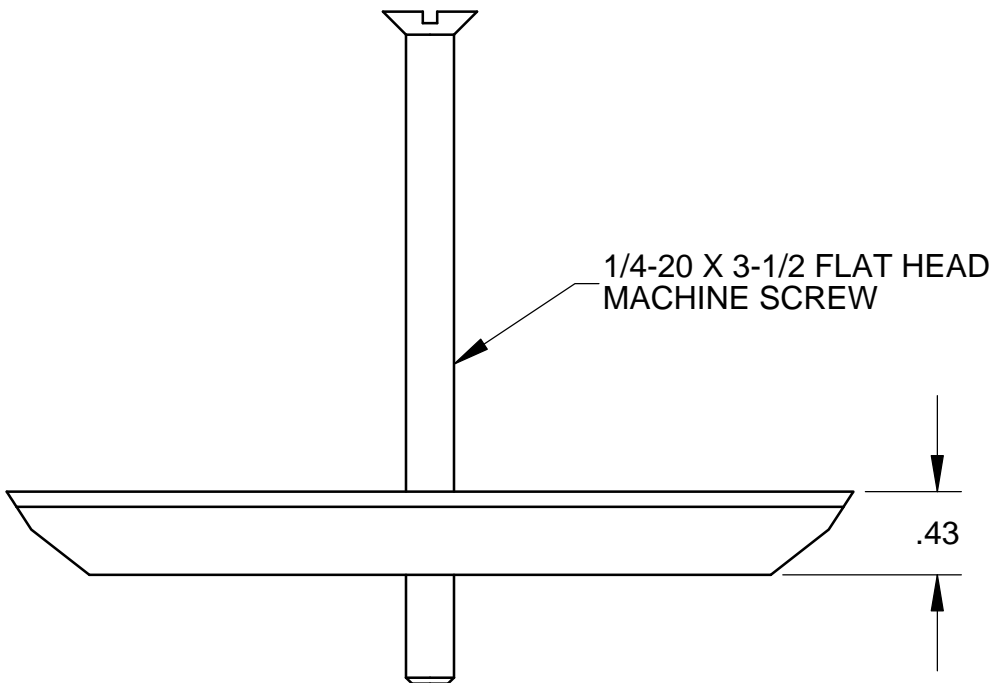
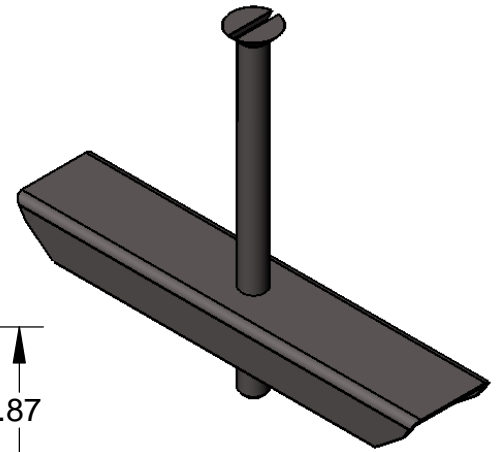
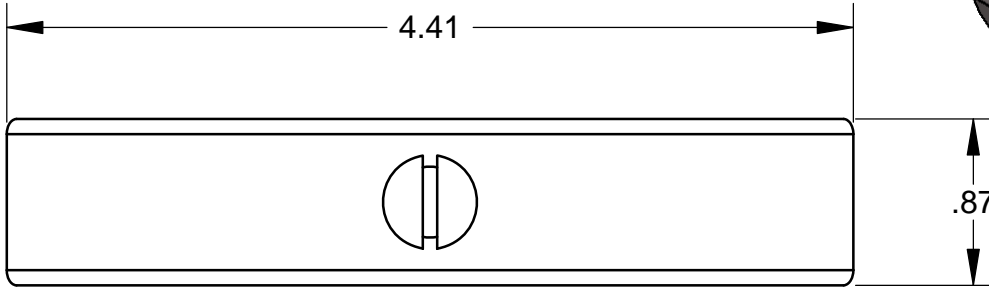
**SPECIFICATION:**

GALVANIZED STEEL LOCKING MECHANISM USED WITH 152725 NYLON GRATE.

**LOCKING MECHANISM**

SERIES

**152726**



Supplied By:

**TRENCHDRAIN  
SUPPLY**

877-903-7246

www.trenchdrainsupply.com

DATE OF LAST CHANGE: 5/30/12

DIMENSIONS ARE SUBJECT TO MANUFACTURERS TOLERANCES AND CHANGE WITHOUT NOTICE. WE CAN ASSUME NO RESPONSIBILITY FOR USE OF SUPERSEDED OR VOID DATA.

**JOSAM COMPANY**  
MICHIGAN CITY, INDIANA

NOTES